

50k

limited edition table series



MV

50k

Thank you for taking an interest in the 50k table series. This brochure contains more information on the piece.

50k is a one-time table series produced on request in Rotterdam. It is limited by the austerity of the 50k calibration weights. These objects are true industrial relics. Production stopped in 1980 and some are over a hundred years old. A maximum of ten numbered & unique tables will be produced.

A precise calculation of forces dictates the construction, including the extra mass of the weight. It enables a small base and creates the illusion of a floating table top.

The 50k weight lowers the center of gravity to take a potential load of 60k on the far end. The cables and their tensioners ensure the stability of the structure.

All solid wood parts of the table are hand crafted by the incredibly talented carpenter Mischa van der Wekke, located in the former fruit harbour section of Rotterdam. The table top of walnut wood, has a beautiful natural scent, touch and feel.

Maria Vera guides the complete production proces of each table with care and precision.





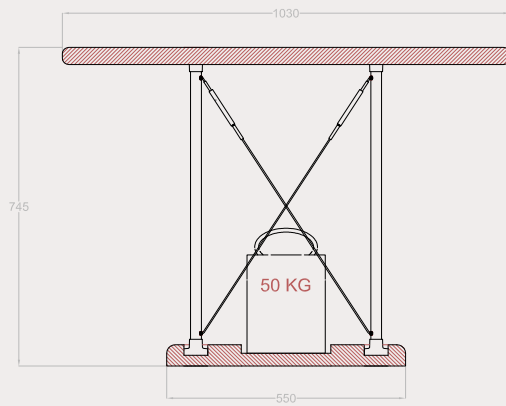
- top hinge connection / gas pipe



- antique 50 kg weight / black steel cables

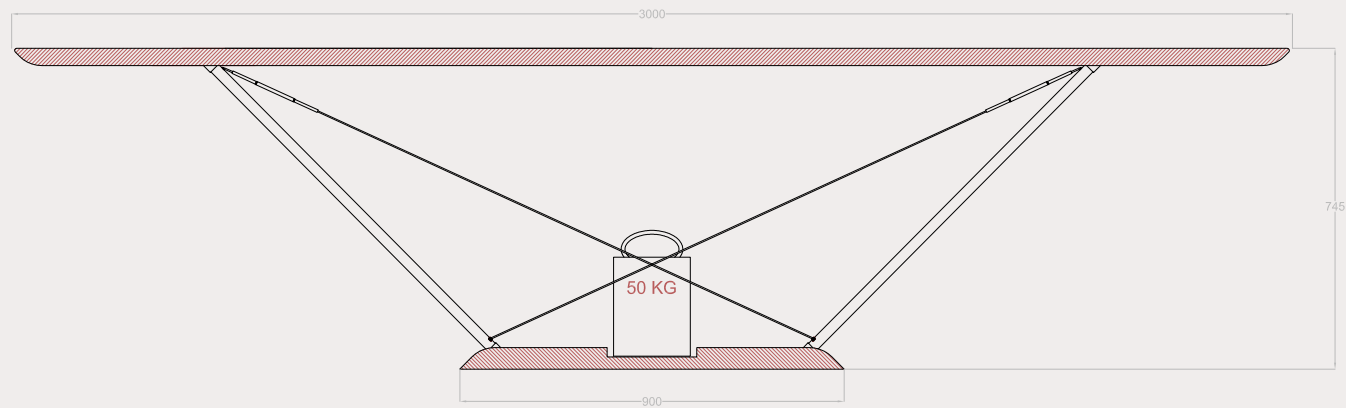


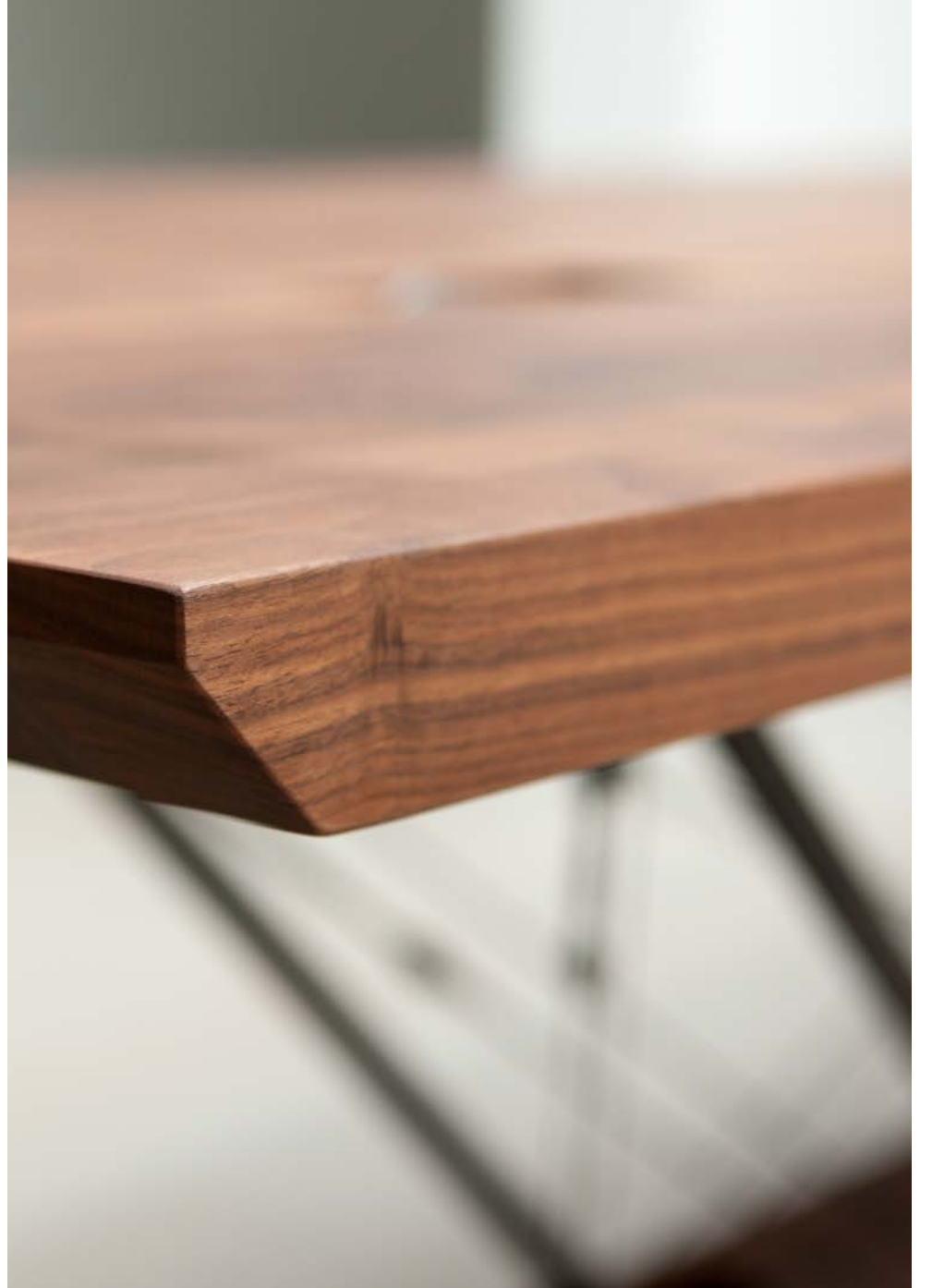
- base hinge connection / qqq-treated inox parts



Weight +/- 125 + 50 kg
Dimensions 300 - 106 - H 75 cm
Materials solid walnut wood
black steel
ppq treated inox
cast iron and lead

*For special requests, please contact Maria Vera



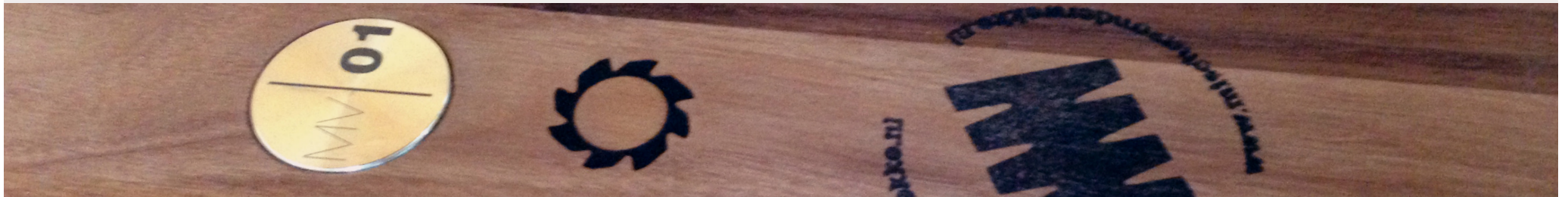




50k

If you would like to purchase a 50k table,
please contact me for availability, terms
& conditions and payment details.

Price : 6000 - 9000
Delivery time : +/- 6 weeks
Down payment : 50%



Maria Vera

+31.6.4127 6721

info@mariavera.com . www.mariavera.com



50k



MV